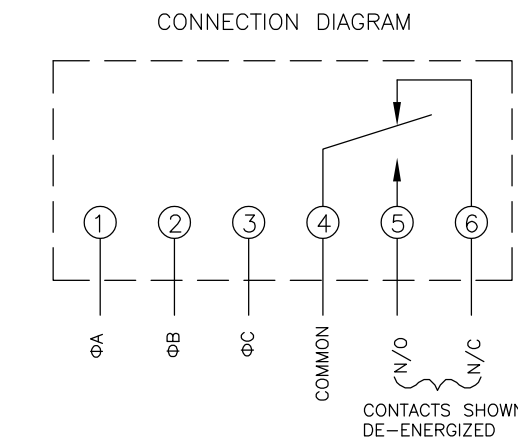
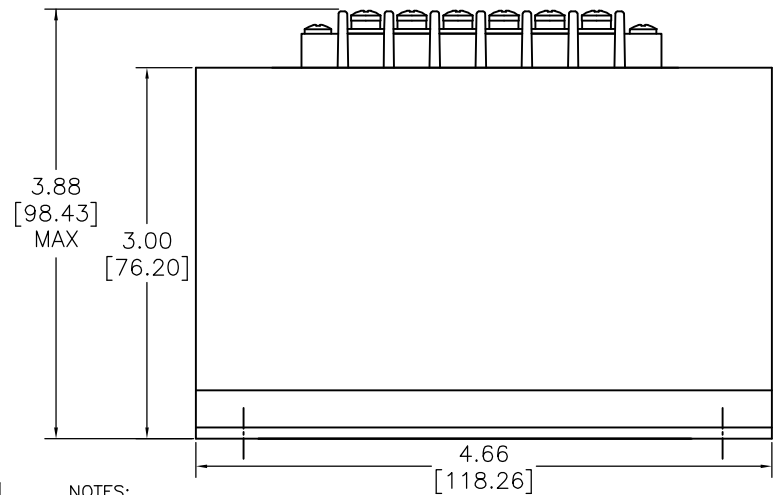
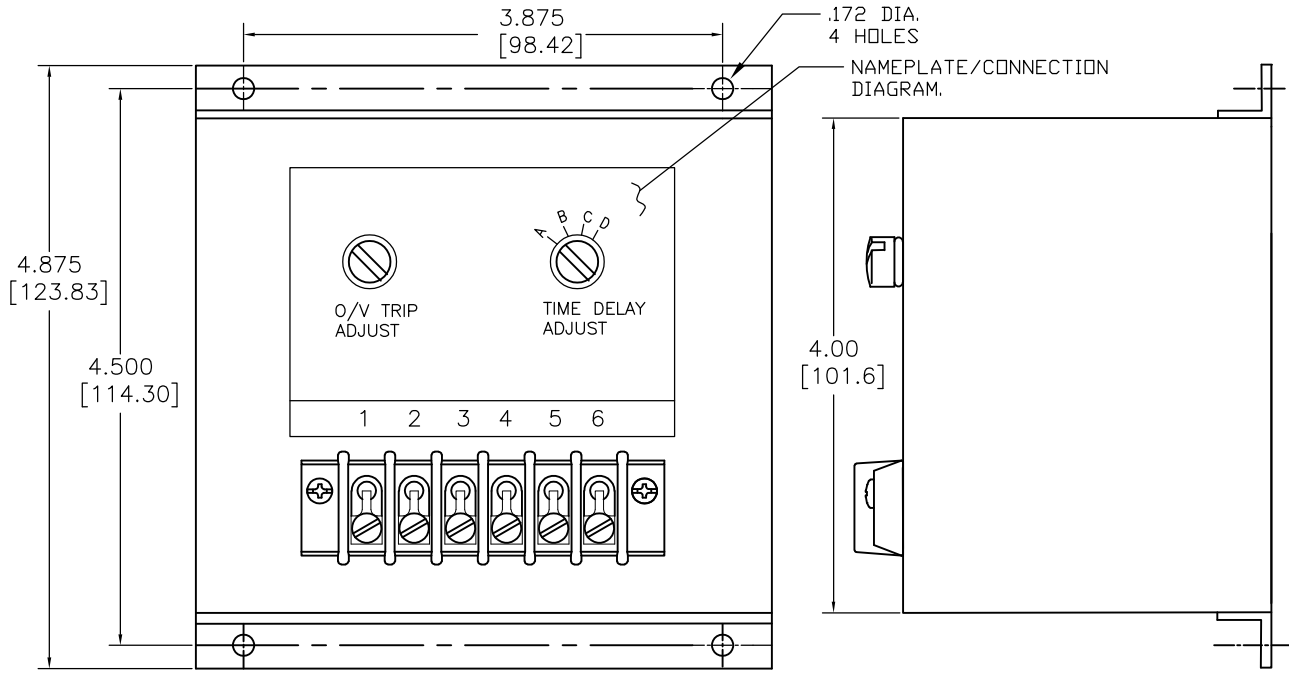


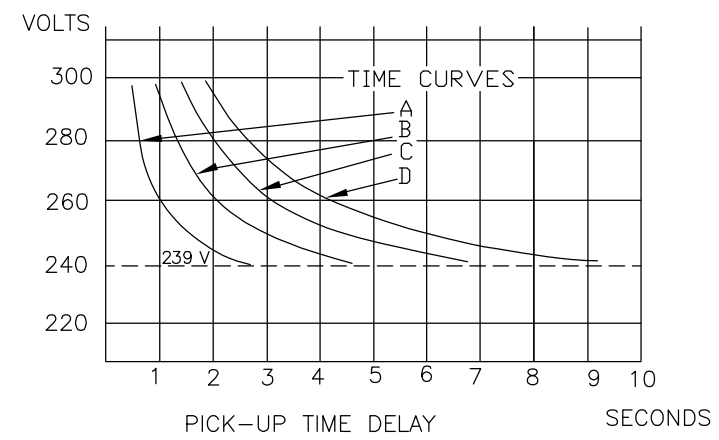
THIS DRAWING AND THE DESIGN IT DISCLOSES ARE THE PROPERTY OF KILDVAC CORP., AND IT IS ISSUED IN CONFIDENCE FOR ENGINEERING INFORMATION ONLY. THE DRAWING AND OR DESIGN MAY NOT BE REPRODUCED, DISCLOSED TO OUTSIDERS OR USED FOR ANY OTHER PURPOSE WITHOUT THE PRIOR EXPRESS CONSENT OF KILDVAC. THE DRAWING IS LOANED FOR MUTUAL ASSISTANCE AND IS SUBJECT TO RECALL AT ANY TIME.



SPECIFICATIONS

NOMINAL VOLTAGE : 208 VAC, 3Φ, 3WIRE, 50/60 Hz
 TYPE SENSING : HIGHEST OF THE 3-PHASE INPUT.
 T/D ADJUSTMENT RANGE: SEE FOUR TYPICAL CURVES BELOW AND NOTES 1 THRU 3.
 O/V ADJUSTMENT RANGE: 208-260 VAC.
 FACTORY SETTING: 239 VAC.
 TEMPERATURE RANGE: OPERATING: -25°F TO +125° F.
 STORAGE: -65°F TO +155° F.
 CONTACT RATING: 5 AMP AT 120 VAC OR 28 VDC.
 (RESISTIVE)

NSN 5945-01-198-2045



TYPICAL CURVES FOR 239 VAC PICK-UP SETTING

- NOTES:
1. REMOVE SCREWS FOR ACCESS TO ADJUSTMENTS.
 2. THE OVERVOLTAGE TRIP POINT IS SCREWDRIVER ADJUSTABLE. CLOCKWISE ROTATION OF THE ADJUSTMENT POTENTIOMETER WILL RAISE THE TRIP POINT.
 3. A FOUR STEP SCREWDRIVER ADJUSTABLE SWITCH, PROVIDES THE SELECTION OF THE DESIRED TIME CURVE A,B,C OR D.

CD CUSTOMER DRAWING

		550 Linden Ave. Carpinteria, CA US 93013 Internet: www.te.com	
TITLE OVERVOLTAGE RELAY			
THIRD ANGLE PROJECTION		ECD No.	
ALL DIMENSIONS ARE IN INCHES UNLESS OTHERWISE SPECIFIED. Block Tolerances are not applied if values are set to zero. FRACTIONS DECIMALS ANGLES ±1/32 .XX ±.01 ±1/2°		REV. C KILDVAC. ND.	
CASE CODE 18741		SCALE 1:1	
EDITED BY MR		APPROVED BY TN	
DATE 08-16-12		DATE 08-21-12	
DRAWN		SHEET 1 of 1	